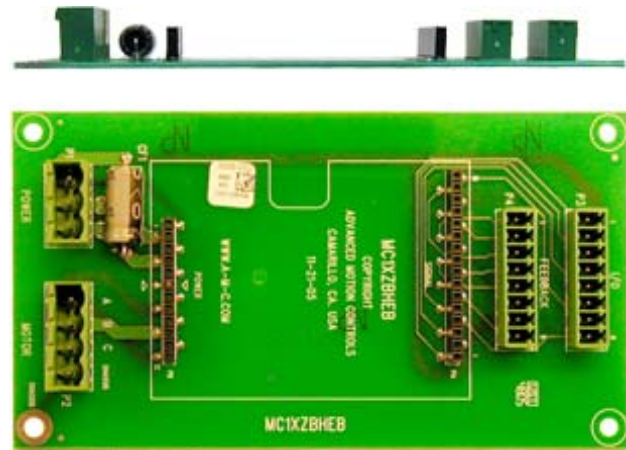


Features

- ▲ Mounts ZBH type drives
- ▲ Single axis mounting card
- ▲ All detachable connections
- ▲ On-board bus capacitance
- ▲ Screw terminal mating connectors included
- ▲ Standard DIN tray dimensions

Drive Compatibility

Drives Supported	ZBH6A6
	ZBH12A8
Axis Supported	1



Accessories

Description

The MC1XZBHE mounting card is designed to host a ZBH type servo drive. This mounting card offers convenient quick-disconnect connectors (mating screw terminals included) for easy interfacing.

SPECIFICATION SUMMARY

Mechanical Specifications	
Drive Power Connector: P1	3-port, 5.08 mm spaced insert connector
Motor Power Connector: P2	4-port, 5.08 mm spaced insert connector
Input/Output Connector: P3	8-port, 3.5 mm spaced insert connector
Feedback Connector: P4	8-port, 3.5 mm spaced insert connector
Mounting Signal Connector: PA	16-pin, 2.54 mm pitch socket
Mounting Power Connector: PB	12-pin, 2.54 mm pitch socket
Size (L x W x H)	5.22 x 2.48 x 0.56 inches 132.5 x 63.0 x 14.3 mm
Weight	(TBA)

PIN FUNCTIONS

P1 – Drive Power Connector			
Pin	Name	Description	I/O
1	N/C	Not Connected	-
2	GND	Ground	GND
3	+HV	DC motor power input. This input is used to supply power to the motor.	I

P2 – Motor Power Connector			
Pin	Name	Description	I/O
1	MOTOR A	Motor phase A	O
2	MOTOR B	Motor phase B	O
3	MOTOR C	Motor phase C	O
4	CHASSIS	Chassis	PE

P3 – Input/Output Connector			
Pin	Name	Description	I/O
1	REF+ IN	Positive terminal of differential analog input	I
2	GROUND	Ground	GND
3	REF- IN	Negative terminal of differential analog input	I
4	CURRENT MONITOR	Output voltage proportional to motor output current. Scaling: 3.85 A/V.	O
5	INHIBIT IN	Inhibit/enable input.	I
6	CURRENT REFERENCE	Monitors the signal at the input of the internal current amplifier stage. Scaling: 1.6 A/V.	O
7	FAULT OUT	Logic output for indication of a drive fault.	O
8	OFFSET	Connection to external resistance for command offset adjustments.	-

P4 – Feedback Connector			
Pin	Name	Description	I/O
1	RESERVED	Reserved.	I
2	RESERVED	Reserved.	I
3	VELOCITY MONITOR	When used in current or Hall velocity mode, voltage is proportional to the speed of the motor. In open-loop mode, voltage is proportional to the PWM duty cycle. Scaling: 100 Hz/V	GND
4	HALL 1	Hall sensor inputs for commutation.	I
5	HALL 2		I
6	HALL 3		I
7	GND	Ground	GND
8	+5V	5V output from 5V logic supply	O

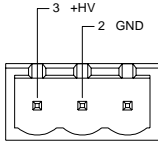
PA – Mounting Signal Connector

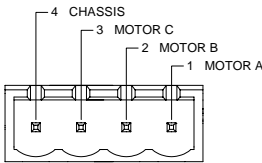
This connector mates directly to the drive. For pin functions refer to the drive datasheet.

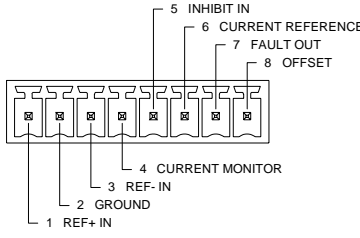
PB – Mounting Power Connector

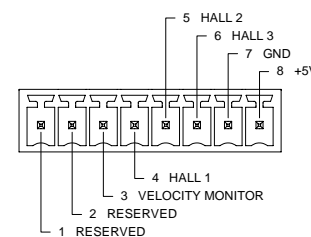
This connector mates directly to the drive. For pin functions refer to the drive datasheet.

CONNECTOR INFORMATION

P1 – Drive Power Connector	
Connector Information	3-port, 5.08 mm spaced insert connector
Mating Connector Example	Phoenix Contact: P/N 1757022 or 1777293 (vertical screw terminal)
	

P2 – Motor Power Connector	
Connector Information	4-port, 5.08 mm spaced insert connector
Mating Connector Example	Phoenix Contact: P/N 1757035 or 1777303 (vertical screw terminal)
	

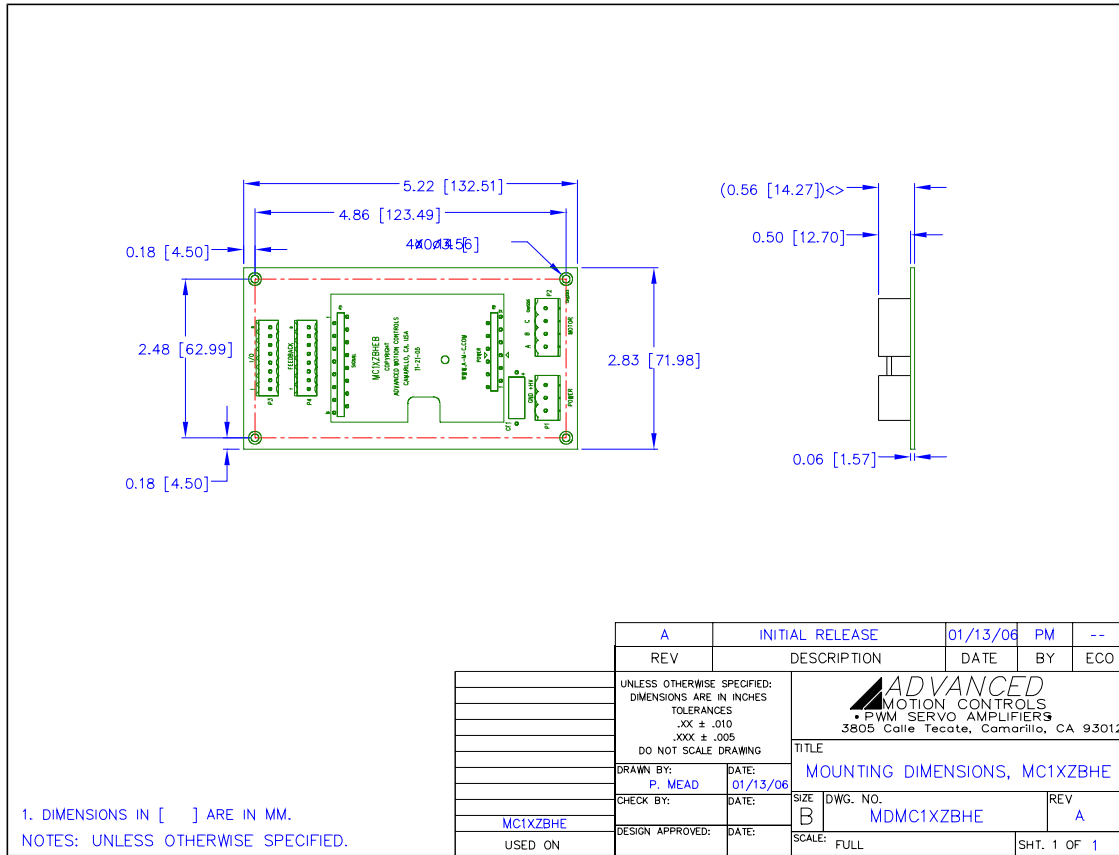
P3 – Input/Output Connector	
Connector Information	8-port, 3.5 mm spaced insert connector
Mating Connector Example	Phoenix Contact: P/N 1840421
	

P4 – Feedback Connector	
Connector Information	8-port, 3.5 mm spaced insert connector
Mating Connector Example	Phoenix Contact: P/N 1840421
	

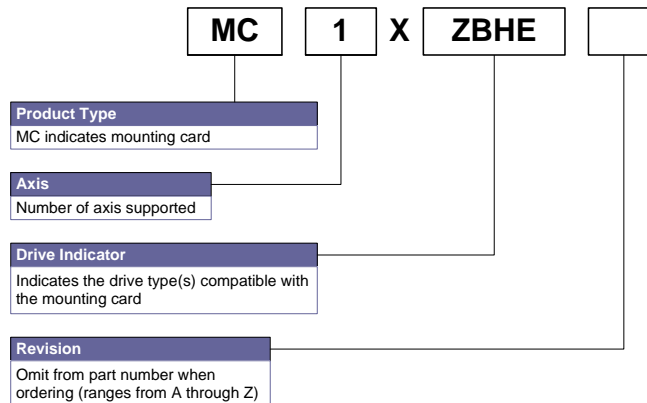
P1 – Mounting Signal Connector	
Connector Information	16-pin, 2.54 mm pitch socket
Mating Connector Example	No mating connector required. Mate directly to drive.

P2 – Mounting Power Connector	
Connector Information	12-pin, 2.54 mm pitch socket
Mating Connector Example	No mating connector required. Mate directly to drive.

MOUNTING DIMENSIONS



ORDERING INFORMATION



Notes:

Revision

This letter is not required when placing an order.
Some letters are skipped when assigning revisions.